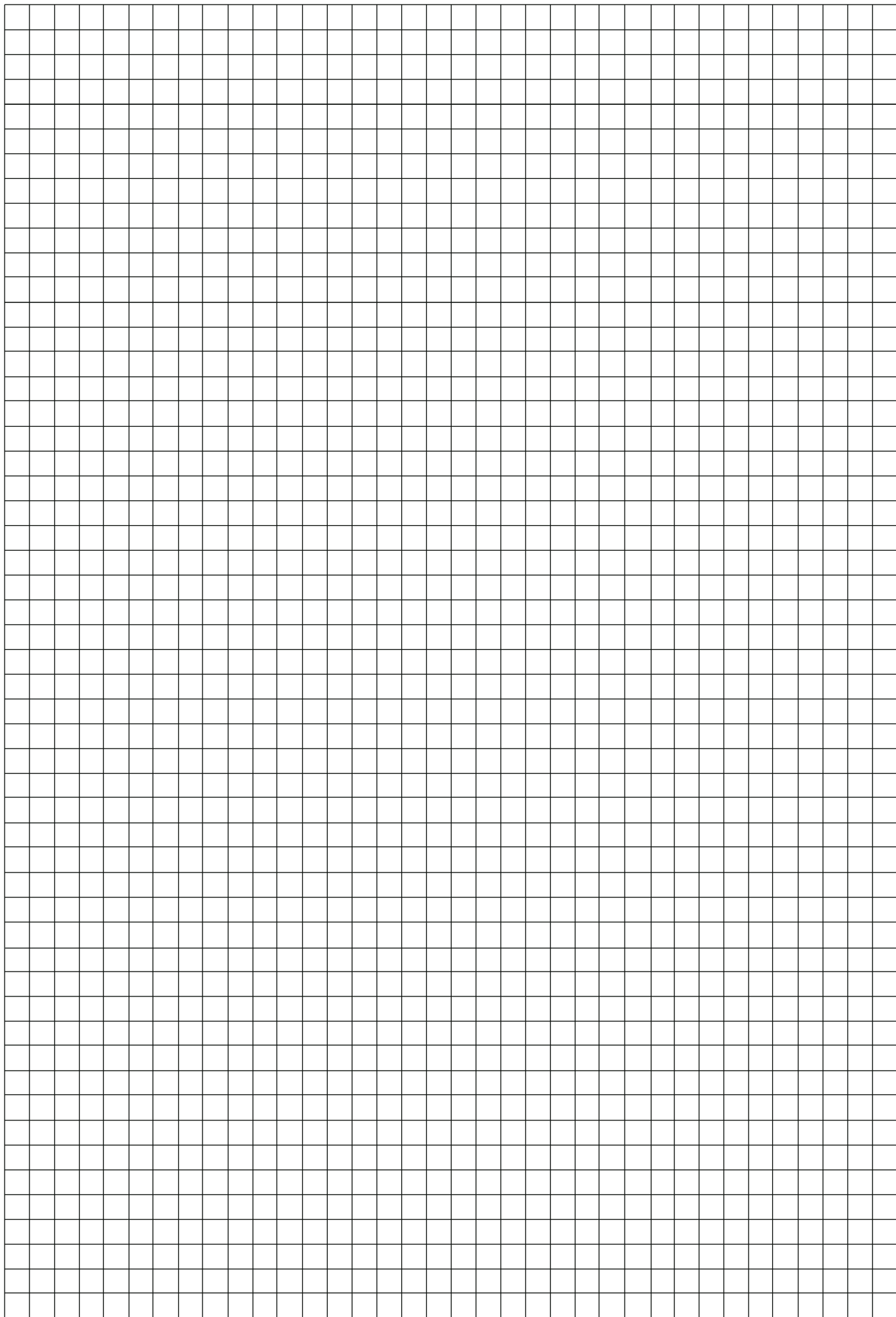


Concepts

Assembly and Installation Manual

Please read this document prior to assembly or installation.

09.08



CONCEPTS BATHROOM FURNITURE ASSEMBLY INSTRUCTIONS

Product Identification

All units can be easily identified from the labels on the packaging. These labels include description and product batch numbers. In the unlikely event of any missing items, these numbers should be quoted when contacting your supplier.

Please inspect all products carefully before installation.

The guarantee does not cover any subsequent installation costs incurred if faults, which would have been evident at the time of delivery are discovered after installation.

Installation Guide and Assembly Manual

It is recommended that this guide should be read before any installation begins. Always unpack units carefully and check the contents before discarding the packaging as small items may still be in the packaging. To protect units from scratches only lay them on a clean flat surface.

DO NOT CARRY UNITS BY RAILS

Installation

- When all units are unpacked and the room is cleared ready for installation, place base units along the relevant walls and decide upon the finished wall heights including the basin.
- Place the units to the wall by using the supplied suspension brackets, final adjustments can then be made. When the units have been correctly aligned we recommend that additional wall fixings are made.
- Before installing wall units, use a datum line to represent the top of the wall units. Mark off each width of wall unit etc. This will give you a reference point to secure your wall fixing brackets.
- Levelling off wall units is achieved with the wall unit fixing brackets.
- Any cut-outs or scribing of panels, tops, sides etc. should be sealed with a waterproof agent.
- We do not supply fixtures and fittings to secure units & brackets to the wall.

SANITARYWARE

Basins

Any cabinet edges around wash basins must be sealed with a waterproof agent or sealer.

Basins should be levelled on a bead of silicon onto the base unit if possible before the final water and waste connections are made.

W/C Units

You will need to make cut-outs for pipes and cistern controls as directed by the Manufacturer's instructions or templates, remembering to seal any raw edges. The cistern will require fixing to the cross rail. (These fixings are not supplied).

Please note: These units are designed for back-to-wall pans as well as suspended or "wall hung" pans when used with a suitable suspension frame.

Guidelines for Care and Maintenance

To maintain the appearance and prolong the life of your new bathroom products we recommend the following,

Furniture

Wipe spills up immediately with a clean soft damp cloth as excessive amounts of spillage or condensation can cause deterioration of the woodwork.

We recommend that furniture be cleaned with a soft damp cloth and warm soapy water.

Avoid using cleaners or polishes that contain abrasives, solvents, acid or ammonia.

Ceramic Sanitaryware

Clean with a soft damp cloth and warm soapy water; rinse with clean water and polish with a soft cloth. Avoid using cleaners that contain abrasives, solvents, acid or ammonia.

Gel-coated Cast Mineral Washbasins

Gel-cast basins are designed and guaranteed to be used with hot water up to a maximum temperature of 65°C, this temperature must not be exceeded

Clean with a soft damp cloth, water and soap or very mild detergent, rinse and polish with a soft cloth. Avoid using cleaners that contain abrasives, solvents, acid or ammonia. Do not use caustic soda or bleaches.

For a good shine use a fine polish around twice a year and then finish with a wax e.g. car wax. Full care instructions are included with the washbasin.

Brassware

Clean with a damp cloth, water and soap, rinse clean and polish with a cloth.

Avoid using cleaners that contain abrasives, solvents, acid or ammonia.

Customer Services

Tel: 0191 4254242 Fax: 0191 4254243

Concepts Cabinet Breakdown

Unit Code	Cabinet	Cabinet Components	Qty	Size WxH mm
Zest				
Z60	Zest 600 Vanity Unit	Zest 600 Door	2	454 x 281
		Handle - 146307	2	394
Z70	Zest 700 Vanity Unit	Zest 700 Door	2	454 x 332
		Handle - 146307	2	394
Z80	Zest 800 Vanity Unit	Zest 800 Door	2	454 x 381
		Handle - 146307	2	394
Z60D	Zest 600 Vanity Unit Single Drawer	Zest 600 Top Panel	1	556 x 150
		Zest 600 Drawer Pack	1	
		Handle - 146315	1	494
Z70D	Zest 700 Vanity Unit Single Drawer	Zest 700 Top Panel	1	666 x 150
		Zest 700 Drawer Pack	1	
		Handle - 146315	1	494
Z80D	Zest 800 Vanity Unit Single Drawer	Zest 800 Top Panel	1	766 x 150
		Zest 800 Drawer Pack	1	
		Handle - 146323	1	655
Z60FS	Zest 600 Floorstanding Vanity Unit	Zest 600 Floorstanding Top Panel	1	566 x 150
		Zest 600 Floorstanding Door	2	520 x 282
		Handle - 146307	2	394
Z70 FS	Zest 700 Floorstanding Vanity Unit	Zest 700 Floorstanding Top Panel	1	666 x 150
		Zest 700 Floorstanding Door	2	520 x 322
		Handle - 146307	2	394
Pure				
P75	Pure 750 Vanity Unit	Pure 750 Door	2	454 x 361
		Handle - 146307	2	394
P90	Pure 900 Vanity Unit	Pure 900 Door	2	454 x 436
		Handle - 146307	2	394
P75D	Pure 750 Vanity Unit Single Drawer	Pure 750 Top Panel	1	726 x 150
		Pure 750 Drawer Pack	1	
		Handle - 146323	1	655
P90D	Pure 900 Vanity Unit Single Drawer	Pure 900 Top Panel	1	876 x 150
		Pure 900 Drawer Pack	1	
		Handle - 146331	1	706
P75FS	Pure 750 Floorstanding Vanity Unit	Pure 750 Floorstanding Top Panel	1	726 x 150
		Pure 750 Floorstanding Door	2	544 x 362
		Handle - 146307	2	394
Fresh				
FR70FS	Fresh 700 Floorstanding Vanity Unit	Fresh 700 Top Panel	1	594 x 190
		Fresh 700 Drawer Pack	1	
		Handle - 146315	2	494
Scope				
FS80	Scope 800 Vanity Unit Single Drawer	Scope 800 Top Panel	1	796 x 150
		Scope 800 Drawer Pack	1	
		Handle - In Drawer Pack	1	
Form				
FF40	Form 400 Hand Basin Unit	Flex 400 Door	1	396 x 396
		Handle - 146293	1	344
F40FS	Form 400 Floorstanding Hand Basin Unit	Form 400 Floorstanding Door	1	644 x 398
		Handle - 146293	1	344

Compass

FC46	Compass 460 Vanity Unit	Flex 460 Compass Top Panel	1	456 x 75
		Flex 460 Compass Door	1	456 x 375
		Handle - 146293	1	344

C46FS	Compass 460 Floorstanding Vanity Unit	Compass 460 Floorstanding Top Panel	1	458 x 150
		Compass 460 Floorstanding Door	1	464 x 458
		Handle - 146293	1	344

Tangent

FT80R	Tangent 800 R/Hand Cupboard	Door - Hinged On RH Side	1	454 x 196
		Handle - 146307	1	394
		Metal Towel Rail	1	Curved

FT80L	Tangent 800 L/Hand Cupboard	Door - Hinged On LH Side	1	454 x 196
		Handle - 146307	1	394
		Metal Towel Rail	1	Curved

WC60	600 W/C Unit	Top Panel		1	596 x 190
		Lower Panel		1	596 x 622

WU40	400 Wall Unit	Flex 400 Door	1	396 x 396
		Handle - 146293	1	344

MS40	400 Mid Storage Unit	Flex 800 Door	1	396 x 796
		Flex 400 Door	1	396 x 396
		Handle - 146331	1	706
		Handle - 146293	1	344

Linear

FL40	Linear 400 Vanity Unit	Flex 400 Door	1	396 x 396
		Handle - 146293	1	344

FL80	Linear 800 Vanity Unit	Flex 400 Door	2	396 x 396
		Handle - 146293	2	344

FL100	Linear 1000 Vanity Unit	Flex 500 Door	2	396 x 496
		Handle - 146293	2	344

FL80DD	Linear 800 Vanity Unit Double Drawer	Flex 800 Bench Drawer Pack	1	
		Handle - 146323	2	655

FL100DD	Linear 1000 Vanity Unit Double Drawer	Flex 1000 Bench Drawer Pack	1	
		Handle - 14634X	2	844

Mirror Storage Unit

MU60	600 Mirror Storage Unit 2 Door	Flex 300 Double Mirrored Door (B)	2	296 x 696
------	--------------------------------	-----------------------------------	---	-----------

MU75	750 Mirror Storage Unit 3 Door	Flex 225 Double Mirrored Door (A)	2	221 x 696
		Flex 300 Double Mirrored Door (B)	1	296 x 696

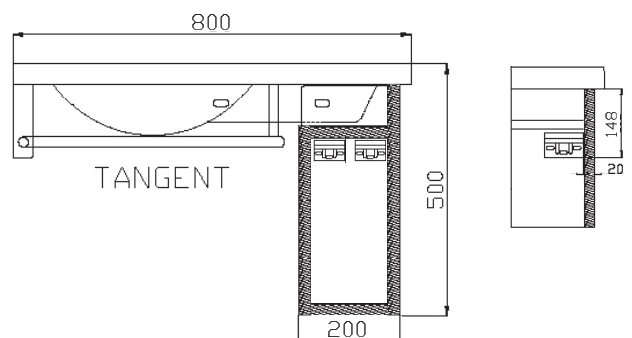
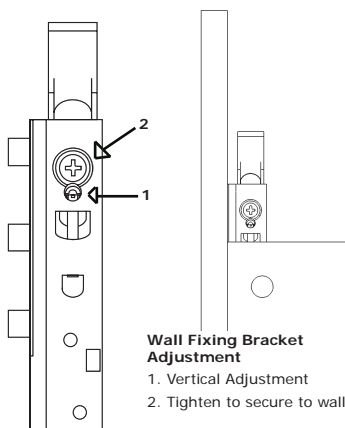
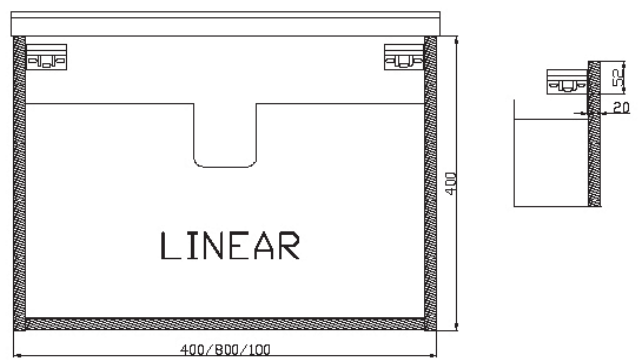
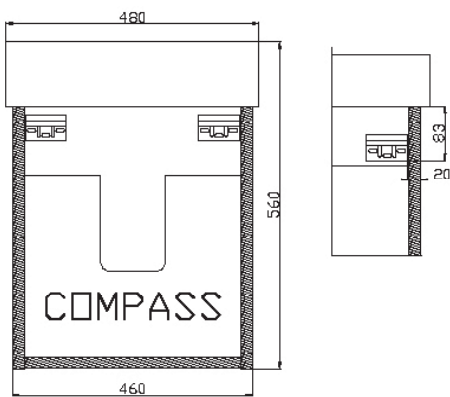
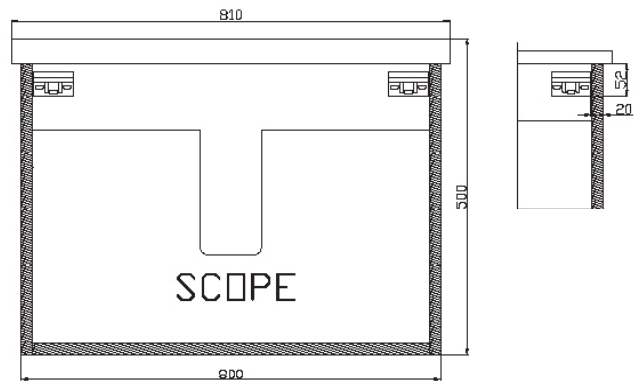
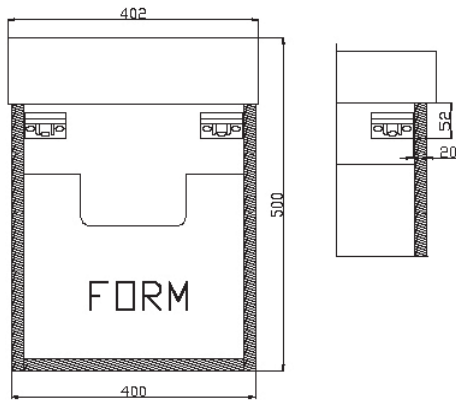
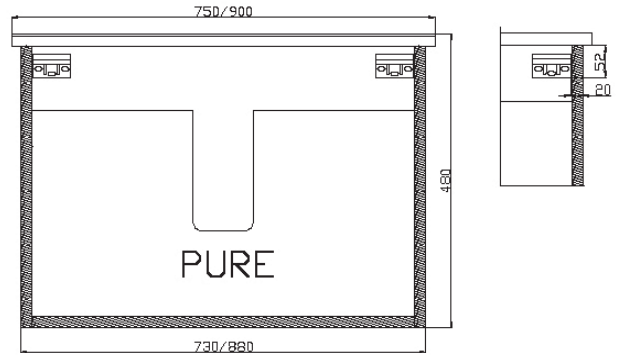
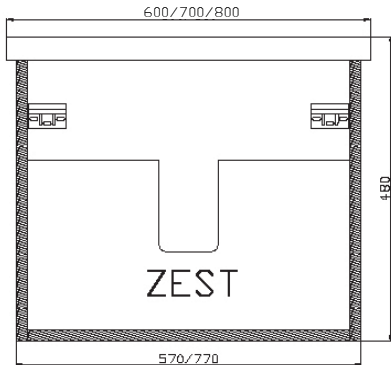
MU90	900 Mirror Storage Unit 3 Door	Flex 300 Double Mirrored Door (B)	3	296 x 696
------	--------------------------------	-----------------------------------	---	-----------

Vanity Units Installation

Z60 Z60D Z80 Z80D P75 P75D P90 P90D FS80 FL40
FL80 FL80DD FL100 FL100DD FF40 FC46 FT80R FT80L

ALL CABINETS SHOULD BE FASTENED TO WALL BEFORE FIXING BASIN, AFTER ALIGNMENT WE RECOMMEND ADDITIONAL WALL FIXINGS ARE MADE THEN THE FINAL INSTALLATION OF THE BASIN CAN BE CARRIED OUT.

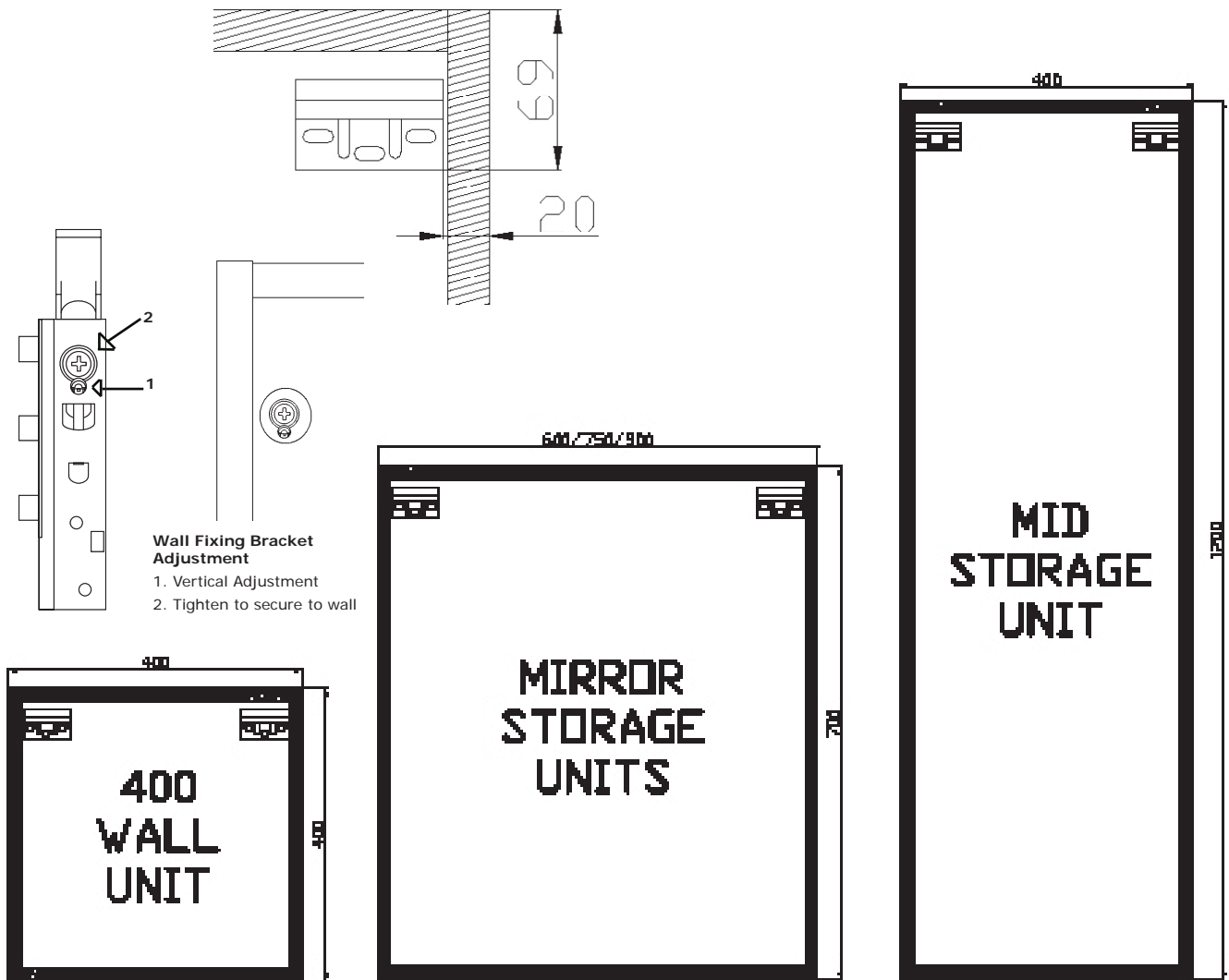
WHEN ATTACHING BASIN TO CABINET IT IS ADVISED TO APPLY A BEADING OF SILICONE ALONG TOP EDGE OF CABINET TO ALLOW BASIN TO SEAT.

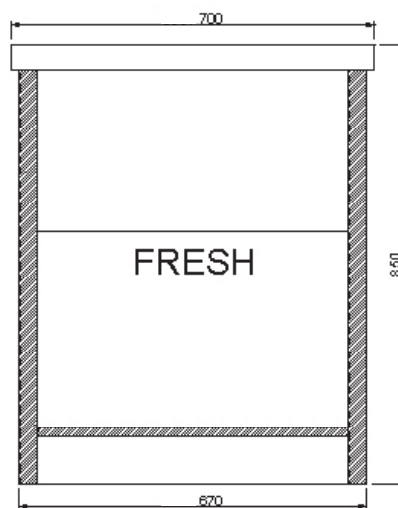
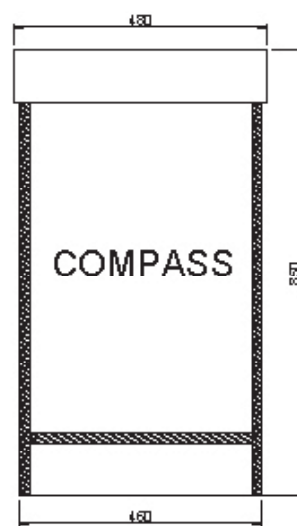
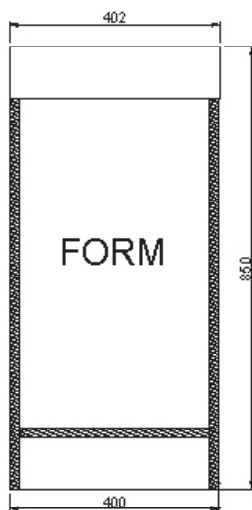
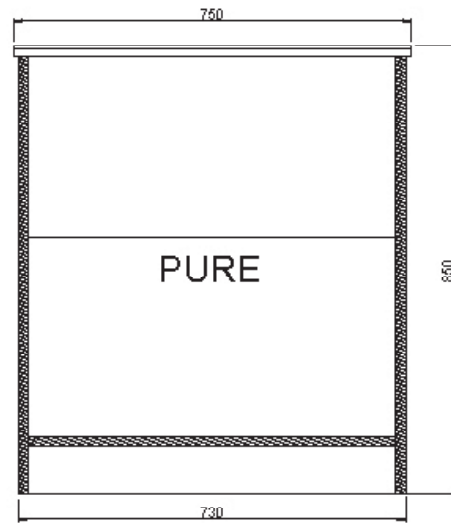
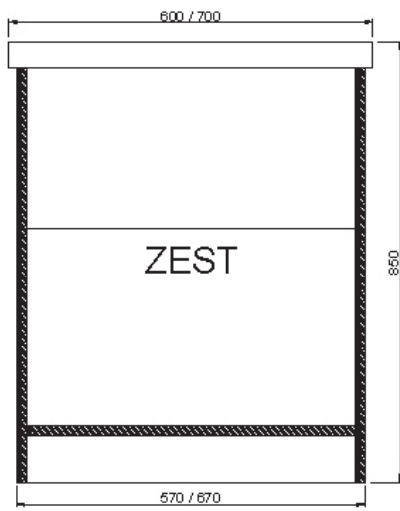


USE DIMENSIONS ONLY AS A GUIDELINE

USE DIMENSIONS ONLY AS A GUIDELINE

DIMENSIONS FROM OUTER
EDGE OF CABINET



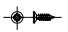


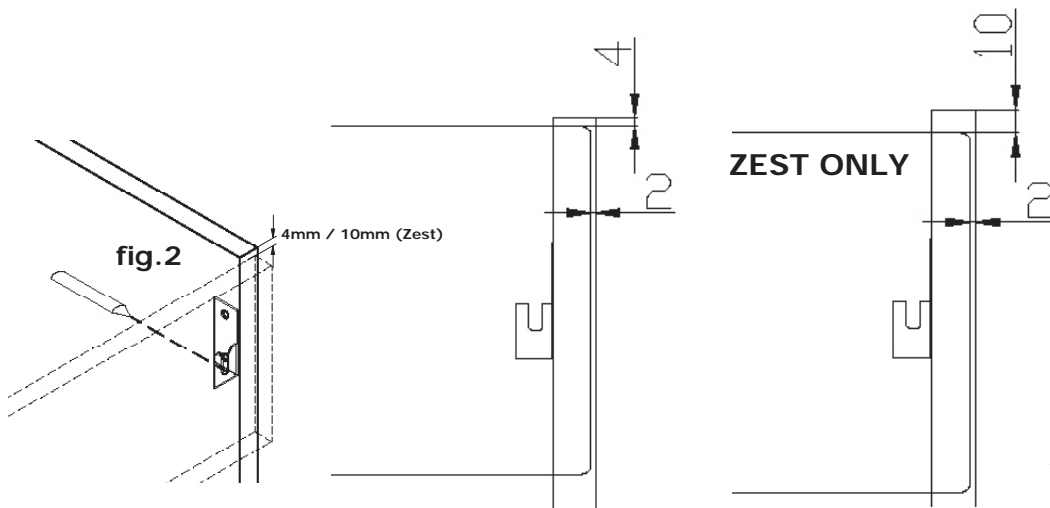
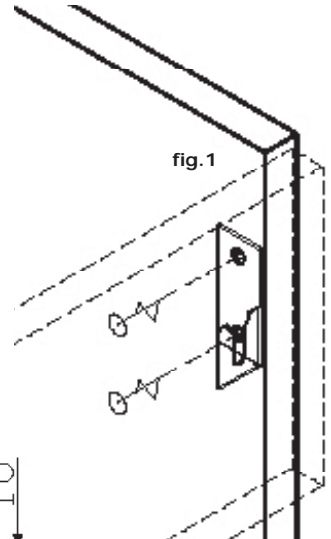


INSTRUCTIONS

1. Lay unit on a clean flat surface that will not damage or scratch the unit.
FOR DRAWER OPTIONS ONLY.
2. Screw No.15 slotted brackets to cabinet sides using No 6x1/2" countersunk screw as shown in **fig 1** to secure panel.
3. For the Top Panel, align 10mm down from top edge for zest or align 4mm down for Pure only, in all cases except Zest and mark position for No.6x5/8" roundhead screws (**fig 2**). You will need to drill pilot holes for the screws.

HARDWARE

-  1 Pairs No.15 slotted brackets
-  4 No.6x1/2" countersunk screws
-  2 No.6x5/8" roundhead screws

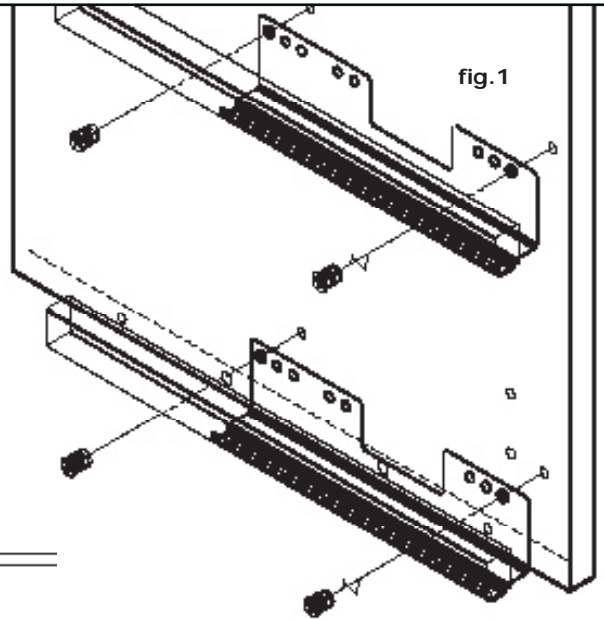


ALL DIMENSIONS ARE FOR GUIDELINES ONLY

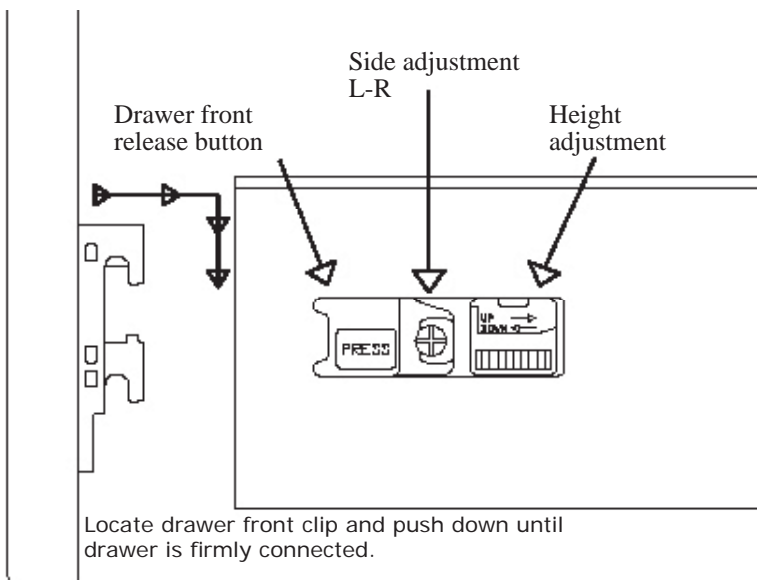
Vanity Units: Drawer

DRAWER GUIDE ASSEMBLY

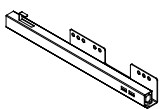

1. Locate drawer runners over the predrilled 5mm dia holes and secure to the cabinet side with 2 Varianta flat head screws. (Use hole positions as illustrated in **fig 1**).
2. Slide assembled drawer box over runners and push back until drawer clicks into place.



Drawer Box Adjustment

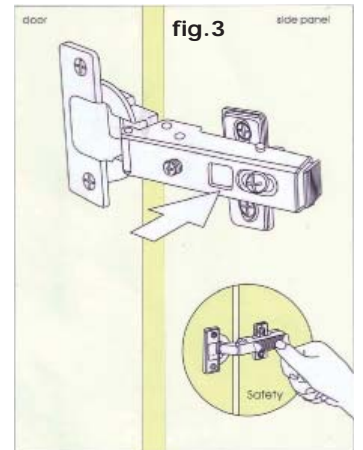
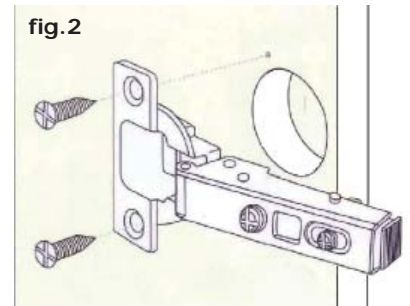
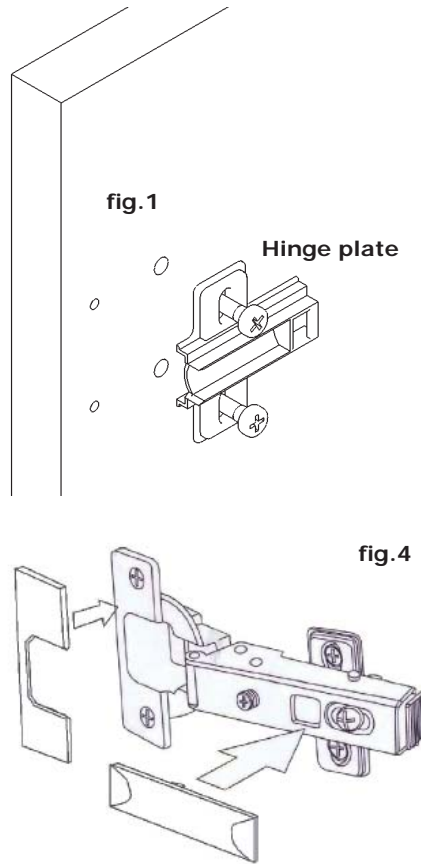


HARDWARE

-  1 Pair Drawer Runners
-  4 Varianta Flat HD Screws per drawer 6.3x10.5

**HINGE & PLATE INSTRUCTIONS
(SUPPLIED WITH DOORS)**

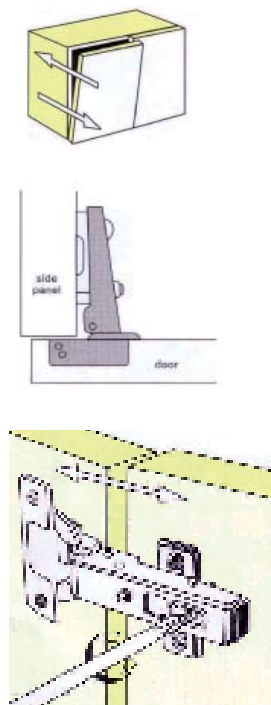
1. Lay unit or doors on a clean flat surface that will not damage or scratch the product.
2. Screw hinge plate to cabinet side using predrilled 5mm hole as indicated in **fig 1**.
3. Locate hinge arm into predrilled 35mm hole on back of door and secure with 2 No.6x5/8" countersunk screws provided **fig 2**.
4. Locate the arm over the hinge plate and click into position as shown in **fig 3**.
5. Click cover plates to hinge as shown in **fig 4**.
6. Adjust alignment of door before finally tightening.



Front adjustment

Tighten screw to fix the door

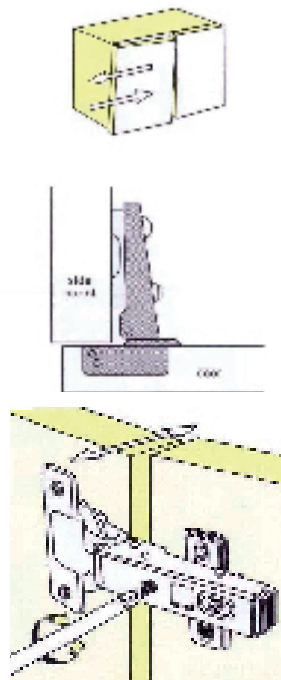
The distance between the door and the side panel can be adjusted:



Lateral overlay adjustment

Adjust the screw to enable the door to adjust to the appropriated position against the side panel.

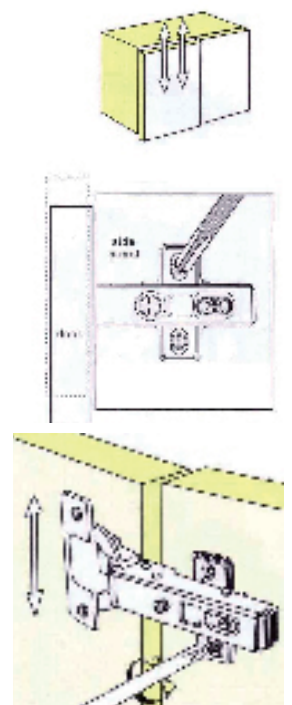
For the protection of damper, it just allows a lateral adjustment of:



Vertical adjustment

Traditional up and down adjustment.

The door can be vertically adjusted by turning the plate screws up and down below:



INSTRUCTIONS

1. Place panels on a clean flat surface that will not damage or scratch them.
2. To apply panel fittings to front fascia panels, drill pilot holes using **fig1.** as a guide and secure with No.6x5/8" countersunk screws.
3. Secure the countertop with the No.7x3/4" countersunk screws through the countertop brackets.
4. When fitting the front panels, slide the lower panel down first then push the top panel into place. **fig.2**

Note: If installing wall hung W/C please use a suitable suspension frame. **DO NOT** fix W/C to cabinet panels.

HARDWARE



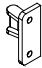
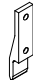
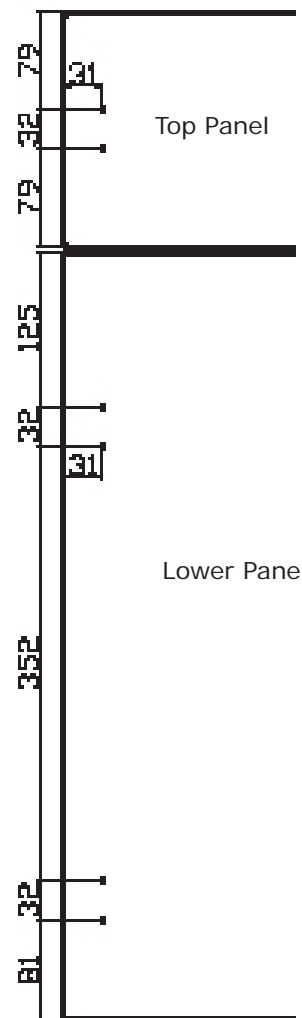
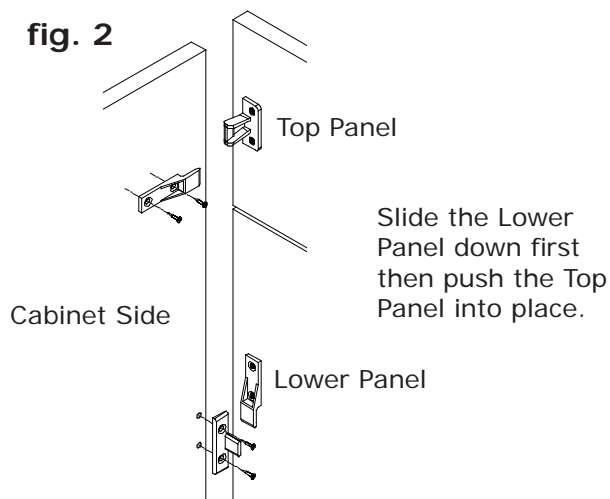
-  4 No.7x3/4" C/Sink screws Worktop
-  12 No.6x5/8" C/Sink screws Keku Fittings
-  2 Keku Top Panel Fittings
-  4 Keku Lower Panel Fittings

fig. 1



For fitting cistern please relate to cistern instructions.

fig. 2



USE DIMENSIONS ONLY AS A GUIDELINE

Bath Panels - Front 1700mm Return 750mm

Note: Baths will have with their own installation instructions supplied by the manufacturer. Before attempting to fit your panels, please read these installation instructions in full and ensure that you fully understand them.

1. To install the bath panels, measure the length and height of the bath to determine. Secure a square timber battern to the walls at both ends underneath the rim of the bath. **fig.1**
2. The Bath panel is then fixed to the square timber battern. Bear in mind that the bath panel may need to be removed in the future.
3. If a return panel is required you will need to assemble panels into an L-shape, use a square timber battern to join panels in the corner. **fig.2**

Please Note: Front and end panels in most cases will need scribing. It is important that all edges, gaps and joints must be sealed with a waterproof agent.

fig.1

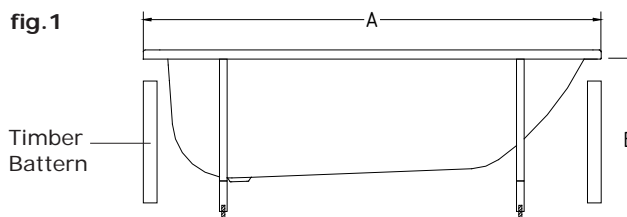
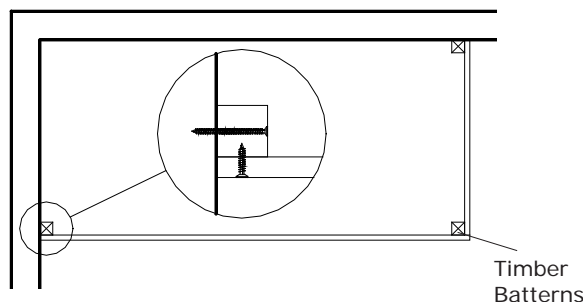


fig.2



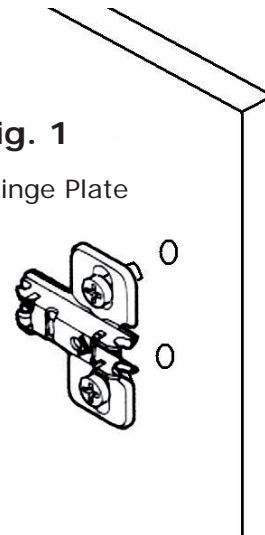
Fixing Mirror Doors For Double and Triple Mirror Wall Storage Units

FIXING ASSEMBLY INSTRUCTIONS

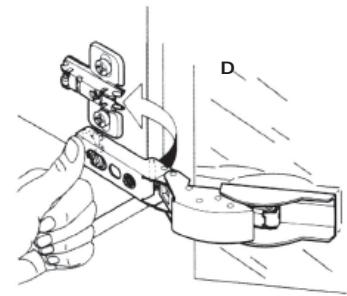
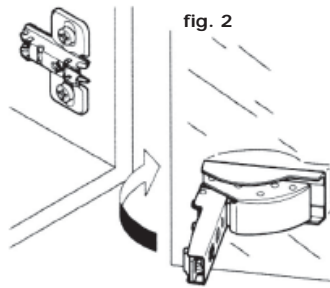
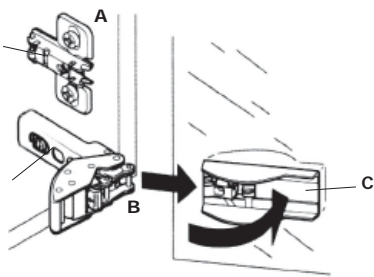
1. Make sure the mirror is placed on a clean, dust-free area to avoid any surface abrasion or marking.
2. Screw hinge plate to cabinet side using predrilled 5mm hole as indicated in **fig 1**.
3. Clip the hinge **B** over mirror plate **C** into position.
4. Open up the hinge mechanism by moving the hinge arm at both top and bottom of the door. See **fig.2**
5. Locate mirrored door to the hinge plates and click into place **D**.
6. Align mirror ensuring that no tension is applied to the hinge. Now fully tighten hinge plates **A** to complete installation.
7. Any further adjustment can now be done if required.

fig. 1

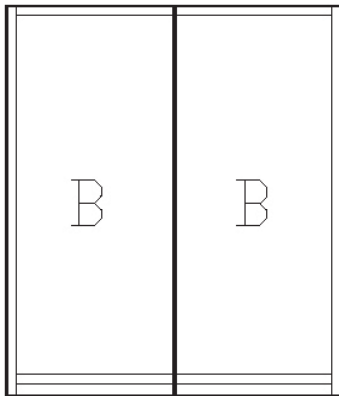
Hinge Plate



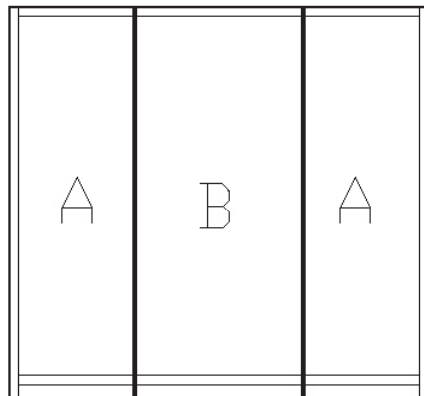
ASSEMBLY



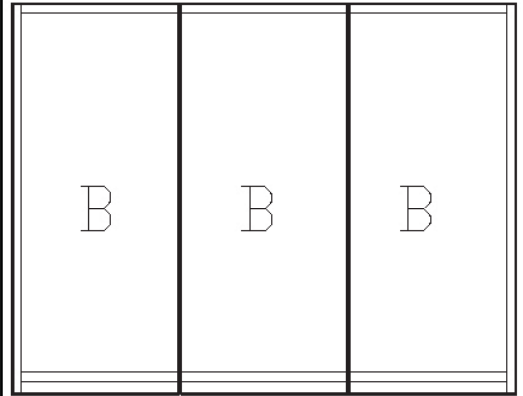
600



750

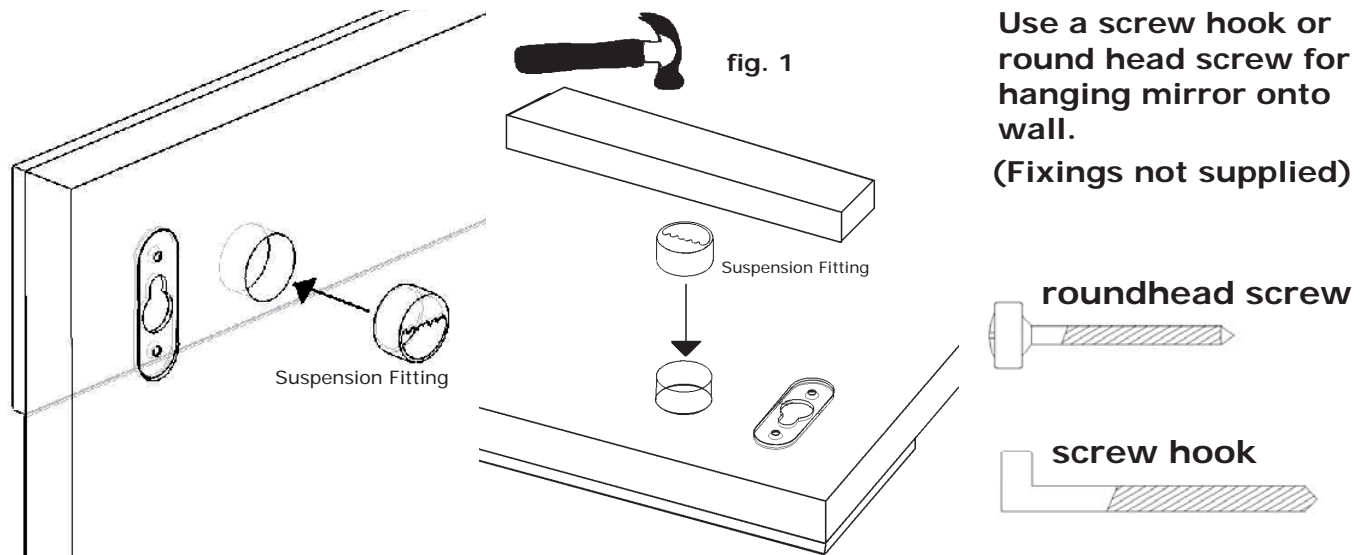


900

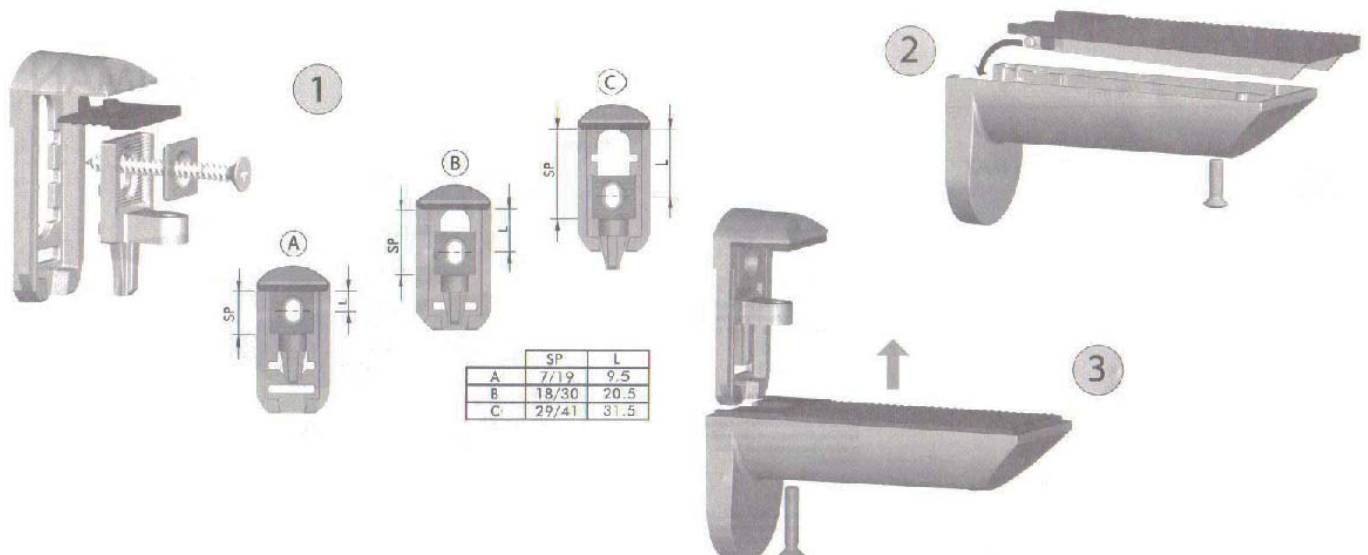
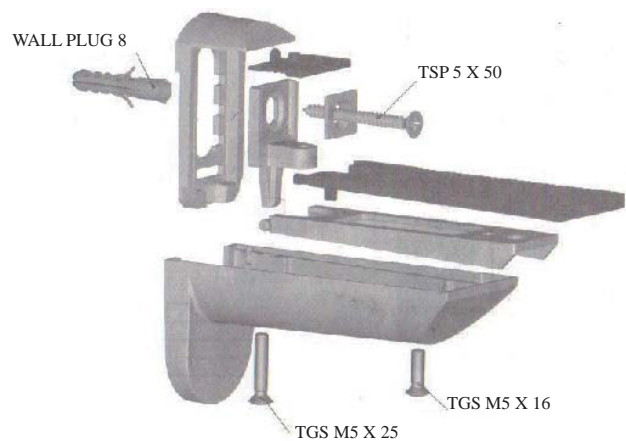
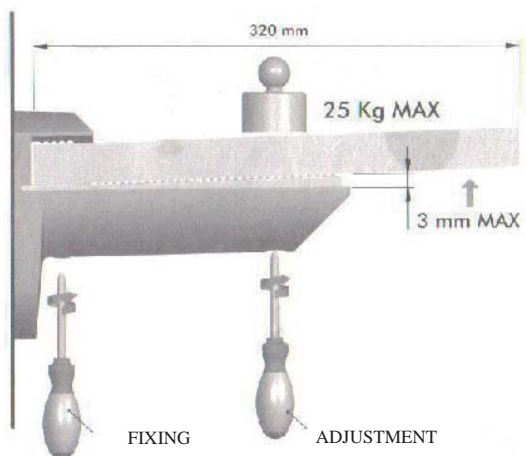


All Framed mirrors are supplied with key hole fittings and additional knock in suspension fittings.

1. An alternative fitting is supplied. Place mirror face down on flat clean surface and tap fitting using a hammer and wooden block or similar into pre drilled hole as shown in **fig 1**.

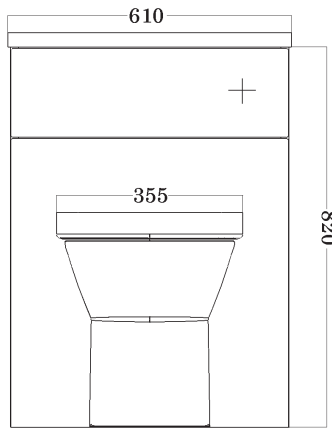
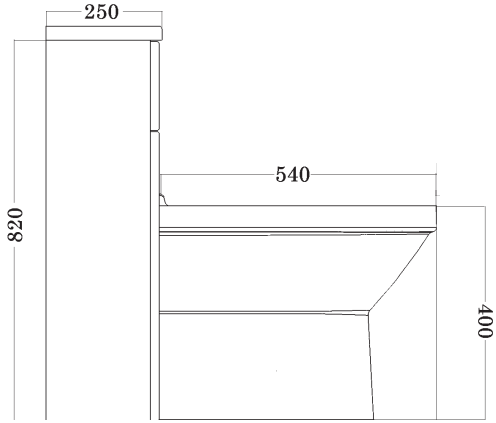


Shelf Bracket

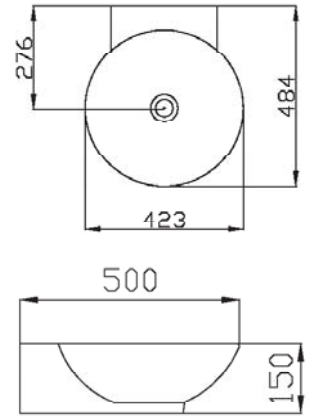


Sanitary Ware Dimensions

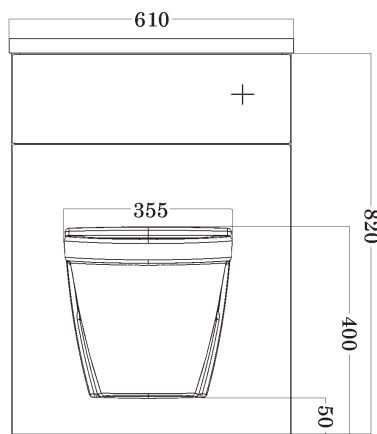
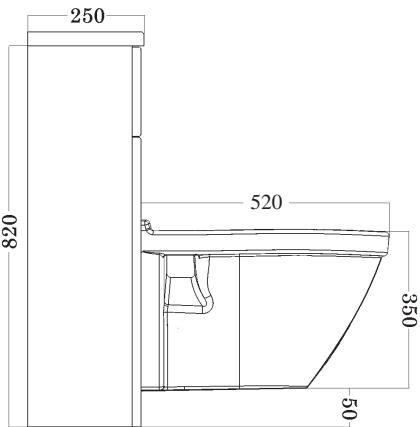
Forino Back To Wall WC



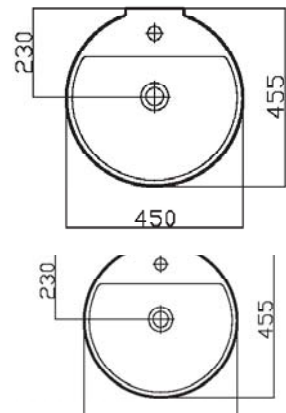
Bari



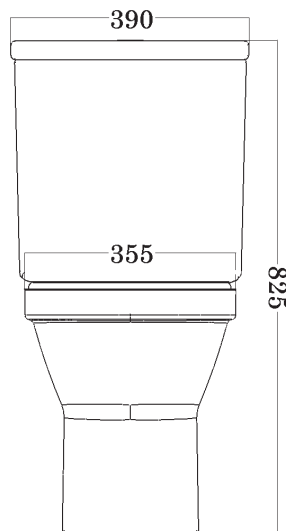
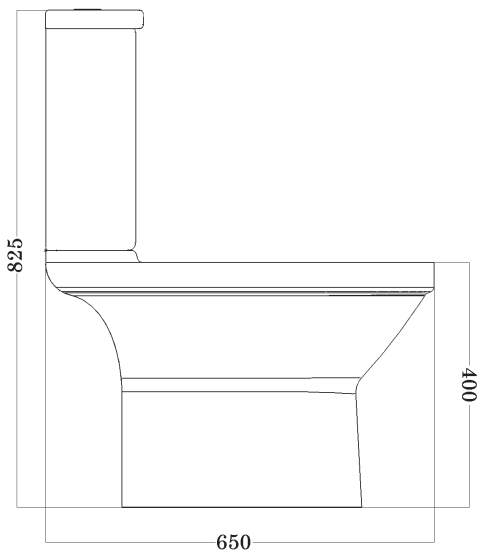
Forino Suspended WC



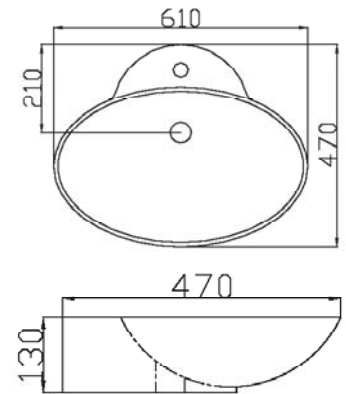
Roma



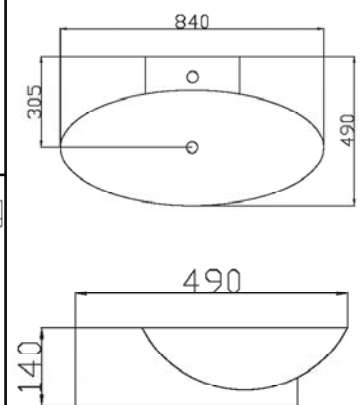
Forino Close Coupled WC



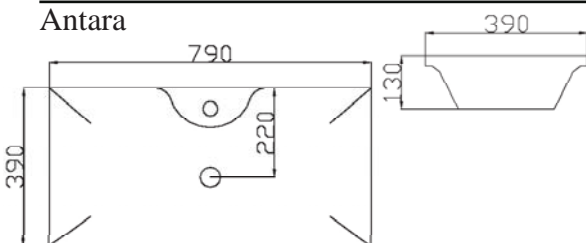
Rocchette



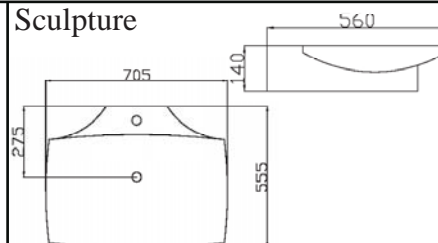
Orbit

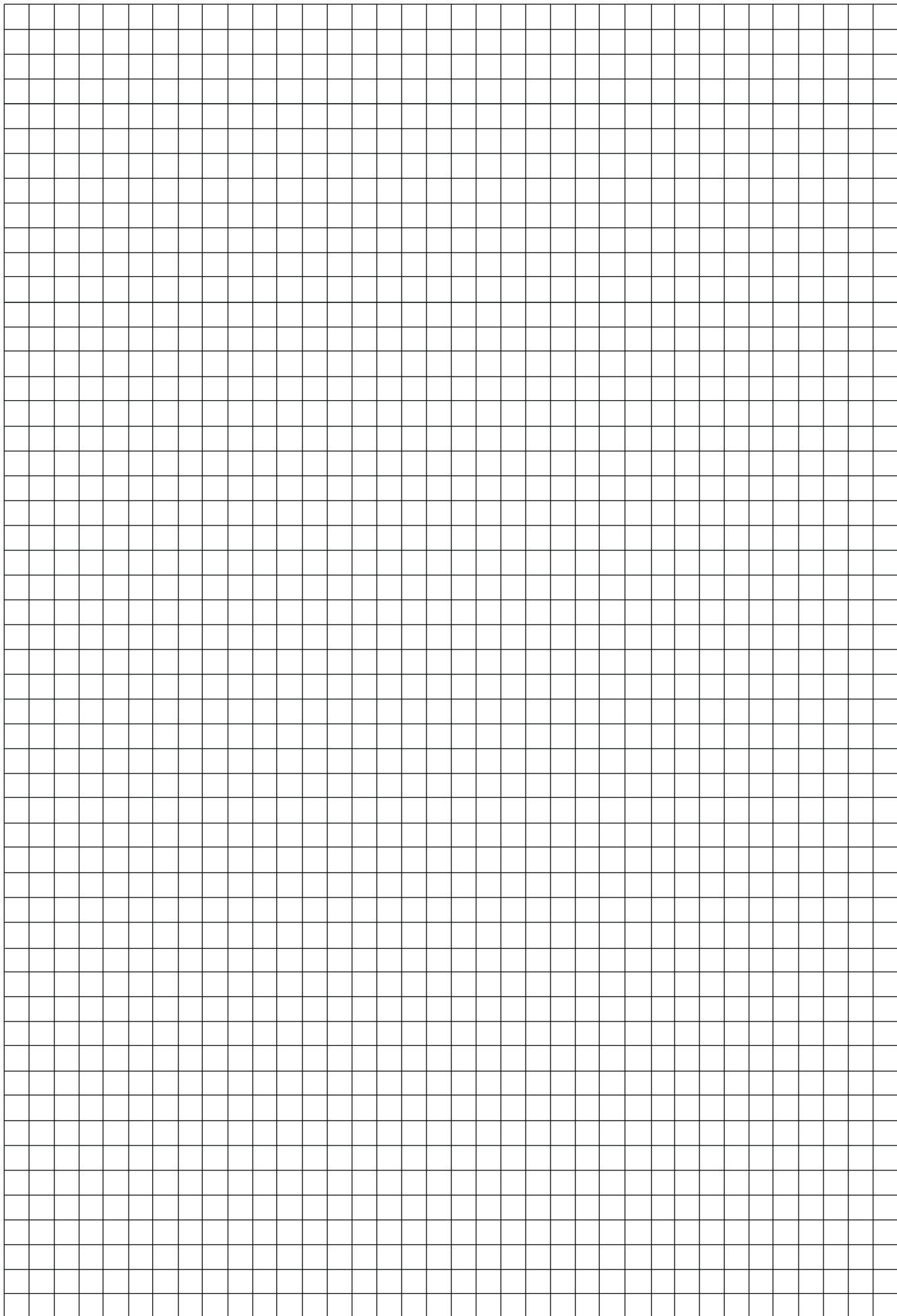


Antara



Sculpture





NOTES: